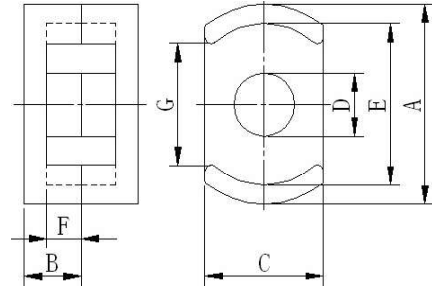


**POT CORES**


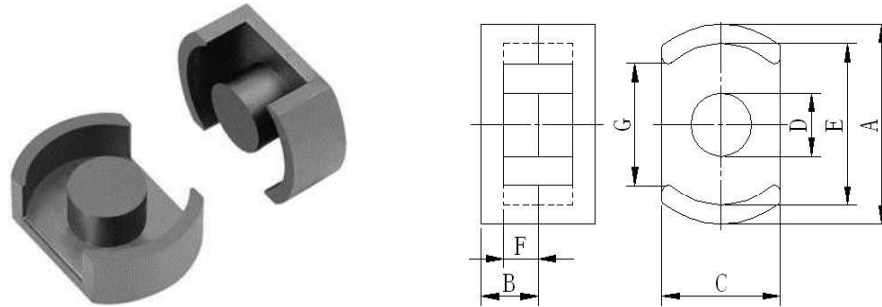
POT

Part#	POT23/11	POT25/11	POT30/19	POT31/19	POT33/14	POT33/19	POT33/24
	POT	POT	POT	POT	POT	POT	POT
( mm )	A	22.90±0.45	25.00±0.45	30.60±0.50	31.20±0.50	33.20±0.50	33.20±0.50
	B	5.55±0.15	5.55±0.15	9.50±0.20	9.45±0.20	7.10±0.20	9.40±0.20
	C	15.20±0.30	15.25±0.30	20.10±0.40	20.30±0.40	23.70±0.40	23.70±0.40
	D	9.75±0.20	8.90±0.20	13.20±0.30	13.20±0.30	13.50±0.30	13.50±0.30
	E	18.25±0.40	20.80±0.40	25.90±0.50	25.40±0.50	26.60±0.50	26.60±0.50
	F	3.75±0.15	3.75±0.15	6.60±0.20	6.45±0.20	4.30±0.20	6.50±0.20
	G	13.10min	16.00min	18.60±0.50	18.80min	18.00min	18.00min
	C1(mm <sup>-1</sup> )	0.52	0.54	0.415	0.39	0.29	0.35
	Le (mm)	26.8	30.3	49.59	50.2	42.6	51.5
	Ae (mm <sup>2</sup> )	51.2	55.7	119.6	127.5	145.1	147.4
	Ve (n m <sup>3</sup> )	1370	1684	5927	6396	6178	7576
	G(g)	9.8	11.5	30.5	31	32	38
	PC40	0.82	1.01	3.56	3.84	3.71	4.55
	PC44	0.75	0.93	3.26	3.52	3.40	4.17
	PC95	0.75	0.93	3.26	3.52	3.40	4.17
AL	PC40	4200	4000	5300	5600	7600	6300
	PC44	4400	4100	5500	5800	7900	6500
	PC95	5380	5180	6700	7200	9600	8000

PC40、PC44: 100KHz, 200mT, 100°C  
 PC95 : 100KHz, 200mT, 80°C  
 1) : 100KHz, 100mT, 100°C  
 2) : 25KHz, 200mT, 100°C

1KH, 0.25V, 25°C  
 ±25%

**POT CORES**



Part#	POT34/19	POT40/13	POT40/14	POT40/16	POT40/20	POT40/26	POT41/20	
	POT	POT	POT	POT	POT	POT	POT	
A 6 C D E F G ( mm )	A	34.30±0.50	39.80±0.60	39.80±0.60	39.80±0.60	39.80±0.60	40.80±0.60	
	6	9.60±0.15	6.50±0.20	6.90±0.20	8.20±0.20	10.20±0.20	10.50±0.20	
	C	23.80±0.40	28.20±0.35	28.20±0.35	28.20±0.35	28.20±0.35	28.20±0.35	28.30±0.40
	D	13.60±0.30	16.00±0.25	16.00±0.25	16.00±0.25	16.00±0.25	16.00±0.25	16.00±0.25
	E	27.70±0.50	33.40±0.50	33.40±0.50	33.40±0.50	33.40±0.50	33.40±0.50	34.00±0.50
	F	6.60±0.15	4.00±0.15	4.00±0.15	5.30±0.15	6.60±0.15	9.60±0.15	7.00±0.15
	G	20.80±0.50	22.70±0.50	22.70±0.50	22.70±0.50	22.70±0.50	22.70±0.50	24.20±0.50
C1(mm <sup>-1</sup> )	0.324	0.264	0.247	0.268	0.270	0.324	0.279	
Le (mm)	50.3	43.1	44.9	49.49	56.4	67.56	58.01	
Ae (mm <sup>2</sup> )	155.4	163.5	181.7	184.3	208.6	208.7	207.6	
Ve (n m <sup>3</sup> )	7822	7048.3	8153	9125	11768	14101	12042	
G(g)	42	35	45	48	61	70	62	
AL	PC40	4.85	4.36	4.89	5.75	7.30	8.92	7.40
	PC44	4.30	4.08	4.48	5.29	6.45	8.35	6.62
	PC95	4.30	4.08	4.48	5.29	6.45	8.35	6.62
	PC40	6500	8100	8900	8500	8500	7000	8600
	PC44	6700	8200	9300	8600	8600	7100	8700
	PC95	7700	10600	11300	11000	10300	8700	10400

PC40、PC44:100KHz, 200mT, 100°C  
 PC95 :100KHz, 200mT, 80°C  
 1) :100KHz, 100mT, 100°C  
 2) :25KHz, 200mT, 100°C

1KH, 0.25V, 25°C  
 ±25%